



- Mini EC Fan adopts the green technology, CCS
- Completely integrated the converter and fan electronics
- PFC >0.9
- Class B
- Soft-Start Function AC 7 Period /DC 60+-12ms
- CE/EMC (EN61000-6-3+EN61000-6-1), CE/LVD (EN60335-1+EN60335-2-80)
- UL,TUV,CE safety approval.
- Made in Taiwan

## General Specification

- |                         |                             |
|-------------------------|-----------------------------|
| • Material              | Housing: Die-cast Aluminum  |
|                         | Impeller: Plastic (UL94V-0) |
| • Mass                  | 0.85kg                      |
| • Bearing               | Ball bearing                |
| • Life Expectancy (L10) | 50000 hours at 40°C         |
| • Operating temperature | -10°C ~ 70°C                |
| • Storage temperature   | -30°C ~ 70°C                |
| • Lead wire             | UL1007                      |

L:Red      N:Black

### PWM signal controls the speed of the fan

- |             |  |
|-------------|--|
| • Lead wire | P:Blue      RD/FG:Yellow      SGND:White |
|-------------|--|

### Kindly contact us by the following different territories:

Europe: [eu@cyclonedynamics.com](mailto:eu@cyclonedynamics.com)

North America: [us@cyclonedynamics.com](mailto:us@cyclonedynamics.com)

Japan & Australia: [ja@cyclonedynamics.com](mailto:ja@cyclonedynamics.com)

### General message:

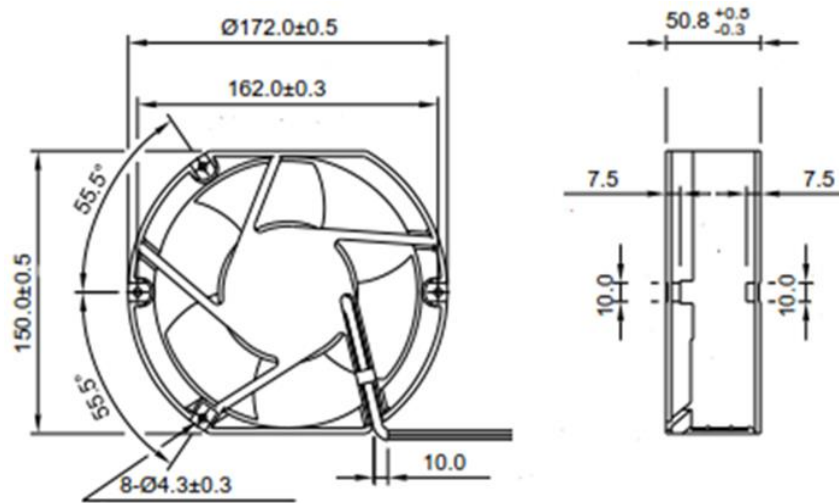
[sales@cyclonedynamics.com](mailto:sales@cyclonedynamics.com)

[info@cyclonedynamics.com](mailto:info@cyclonedynamics.com)

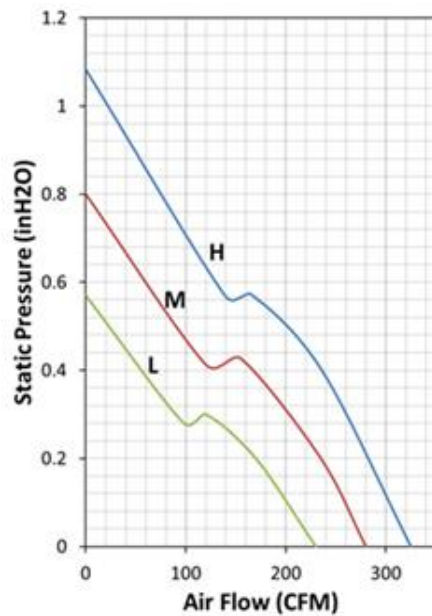
### Company phone & fax

Tel +886 (0)3 358 5329 Fax +886 (0)3 358 5327

# Product Drawing



# Characteristic Curves



# Specifications

## Full-Speed Standard Fan

Model	Air Flow Rate	Max. Static Pressure	Sound Pressure Level	Operating Voltage Range	Operating Voltage Range	Input Power	Rated Speed /AC	Power Factor	Average Current	Max. Peak Current
	CFM	Inch-H2O	dB-A	VAC	VDC	Watt	R.P.M.		Amp	Amp
UAB17F51IW-HS	280	0.8	57.5	90-230* 50/60HZ	100-250*	20.00	3700	>0.9	Determined by voltage	
UAB17F51IW-MS	230	0.689	52	90-230* 50/60HZ	100-250*	16.28	3300	>0.9		
UAB17F51IW-LS	210	0.469	50	90-230* 50/60HZ	100-250*	10.62	2800	>0.9		

## PWM signal controls the speed of the fan

Model	Air Flow Rate	Max. Static Pressure	Sound Pressure Level	Operating Voltage Range	Operating Voltage Range	Input Power	Full-Speed /AC	Full speed Power Factor	Minimum speed	Max. Peak Current	Output Signal
	CFM	Inch-H2O	dB-A	VAC	VDC	Watt	R.P.M.		R.P.M.	Amp	
UAB17F51IW-HP	280	0.8	57.5	90-230* 50/60HZ	100-250*	20.00	3700	>0.9	1500		RD/FG
UAB17F51IW-MP	230	0.689	52	90-230* 50/60HZ	100-250*	16.28	3300	>0.9	1500		RD/FG
UAB17F51IW-LP	210	0.469	50	90-230* 50/60HZ	100-250*	10.62	2800	>0.9	1500		RD/FG

## Temperature-controlled fan

Model	Air Flow Rate	Max. Static Pressure	Sound Pressure Level	Operating Voltage Range	Operating Voltage Range	Input Power	Fan speed above 50° C	Full speed Power Factor	Fan speed below 30° C	Max. Peak Current
	CFM	Inch-H2O	dB-A	VAC	VDC	Watt	R.P.M.		R.P.M.	Amp
UAB17F51IW-HT	280	0.8	57.5	90-230* 50/60HZ	100-250*	20.00	3700	>0.9	2300	
UAB17F51IW-MT	230	0.689	52	90-230* 50/60HZ	100-250*	16.28	3300	>0.9	2100	
UAB17F51IW-LT	210	0.469	50	90-230* 50/60HZ	100-250*	10.62	2800	>0.9	1700	

\*The broad interface of power could meet the wide range of voltage-working.

\*\*The specification is subject to change without notice. Please contact CDynamics for more details.